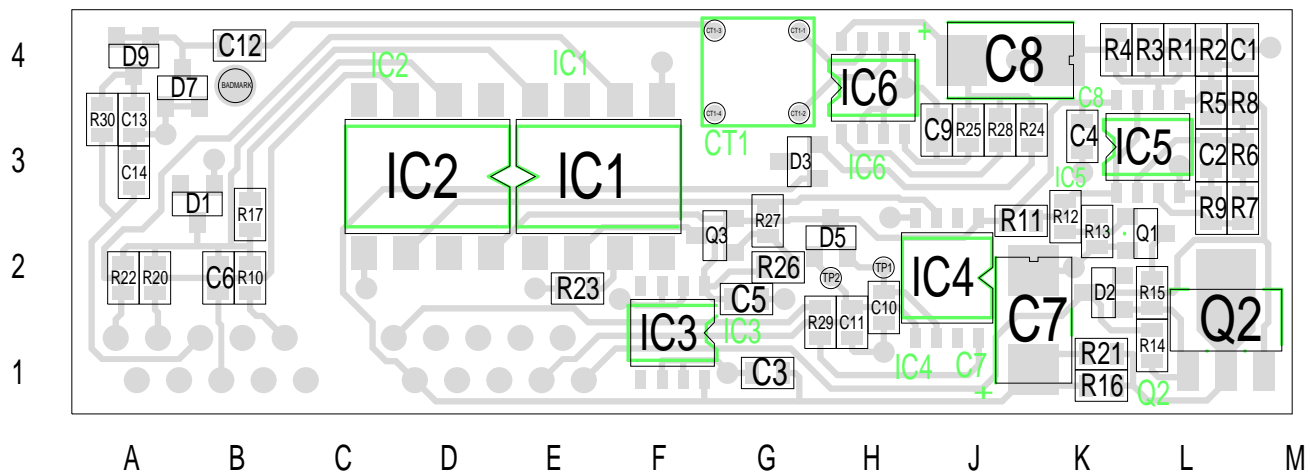


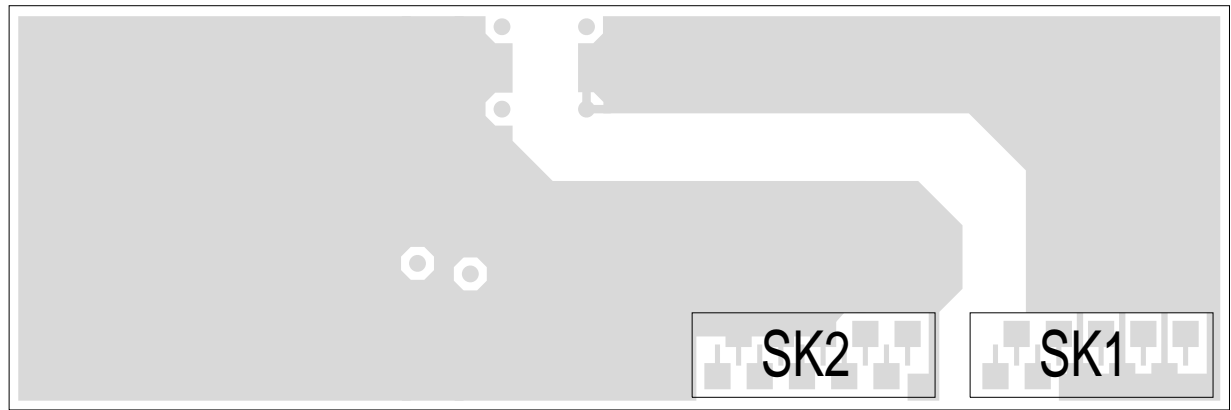
18A	CREATED - PROTOTYPE	PAUL G				12/02/01
REV/ISS	AMENDMENTS	DRAWN	CHKD	D.O.	APVD	DATE

© TAIT ELECTRONICS
 T8000 POWER SUPPLY
 12V BATTERY CONTROL CARD

IPN: 220-01665-18	ISSUE: A	ID: 2.SC. 1
PROJECT: T8000	DESIGNER: RIAN	FILE NAME: 166518a
	FILE DATE: 13-Feb-01	NO.SHEETS: 1



TAIT ELECTRONICS	IPN:	ISS:	ID:	DATE:
	166518A	0	1.TA	13 Feb 2001
166518A PCB LAYOUT - TOP SIDE				



M L K J H G F E D C B A

4
3
2
1

TAIT ELECTRONICS	IPN:	ISS:	ID:	DATE:
	166518A	0	2.BA	13 Feb 2001
166518A PCB LAYOUT - BOTTOM SIDE				